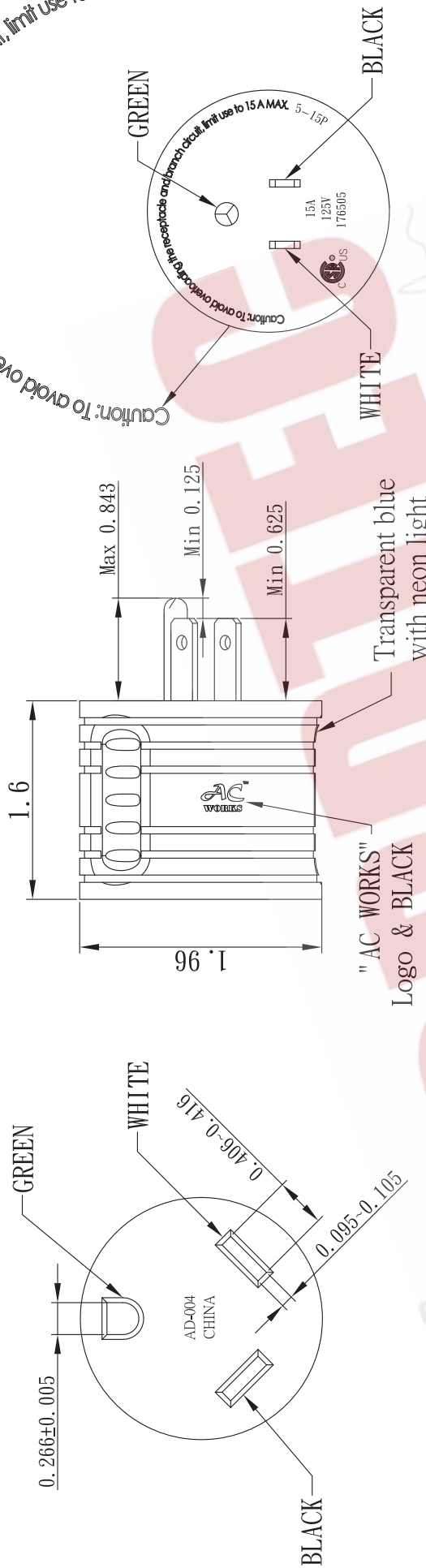


Caution: To avoid overloading the receptacle and branch circuit, limit use to 15 A MAX.



Note :  
 1. Male and female terminals are nickel plated.  
 2. Packing : Each product is packaged in sealed bags.  
 Use "#" glyphs to separate them and add paper board.

5	Inner frame	PP WHITE
4	Socket of terminal	GEM 95767BS-1*2PCS;98576BS-1
3	Plug of terminal	GEM:98661BS-1*2PCS;98475ABS-1
2	Body of PVC	45P Transparent blue
1	Inner of cord	14AWG BLACK;WHITE;GREEN
No.	Name	Specification

UNIT: Inch.		ITEM:RV515TT	
DWG NO. : 1 of 1		CUSTOMER:Cordtec Power	
TOLERANCE	DATE	SCALE	REV
	2019. 04. 04		1.0
AC Connectors of Cordtec Power Corp		DRAWN	
Main:1-414-434-2220 Fax:1-414-323-8386		CHECKED	
Text:1-414-323-3240		APPROVED	
Email : Info@CordtecPower.com			
Website: CordtecPower.com/ ACWORKS.com			

